

Active T-Foils

Ride Control System for a Variety of Hull Forms

Integrated Roll, Pitch & Heave Motion Control

Naiad Dynamics, the World Leader in Ship Motion Control Solutions[®], presents the Active T-Foil Ride Control System: a reliable and effective motion control system for a variety of hull forms, including monohulls, catamarans and trimarans. An original Naiad Dynamics innovation, proven in hundreds of successful applications.

Features

- ✓ Highest quality materials and workmanship. Major components machined in-house to US military standards and concurrently produced alongside aerospace machined parts in our ISO 9001:2015 certified facility.
- ✓ Fully complies with commercial and military design standards. Proven in demanding high-speed ferry and naval ship applications.
- ✓ T-Foil will break away cleanly in the event of a substantial strike to protect hull integrity. An internal beacon is automatically activated to aid in recovery.
- ✓ Hydrodynamically-efficient foil section designs available in a variety of standard sizes.
- ✓ Available with active flaps, pivoting (with and without active flaps), and fully retractable (with and without active flaps).



The T-Foil's flap generates pressure on the top or bottom surface of the foil depending on direction of deployment. The flap is continuously modulated in proportion to vessel motion. Fitted in pairs, T-Foils control roll and pitch motions, and reduce heave.



ND Retractable T-Foils can be stowed in calm conditions, are strike tolerant, and can be maintained and serviced in the water.



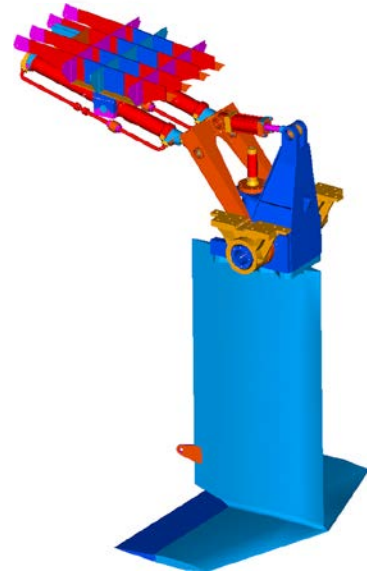
57m FBMA Catamaran with dual ND flapped T-Foils.

Automatic Roll and Pitch Control

All NAIAD® advanced digital control systems feature fully proportional closed loop performance, for continuously modulated, automatic T-Foil position management along with seamless and fully integrated control of any number of other ND motion control effectors such as active fins, trim tabs, interceptors, etc. used in combination. Operator interface is through a Graphical Display featuring intuitive menus and screens.



ND Pivoting (above) and Retractable (at right) T-Foils are available with and without active flaps



ND Retractable T-Foil

Standard T-Foil Sizes

Size	Active Flap	Pivoting		Fully Retractable	
		w/Flap	w/o Flap	w/Flap	w/o Flap
0.5m ²			✓		
0.75m ²			✓		
1.0m ²			✓		✓
2.0m ²	✓		✓		✓
4.0m ²	✓	✓	✓	✓	✓
6.0m ²	✓	✓	✓	✓	✓
8.0m ²	✓	✓	✓	✓	✓
8.7m ²		✓	✓	✓	✓
10.0m ²		✓	✓	✓	✓
11.5m ²		✓	✓	✓	✓
13.4m ²		✓	✓	✓	✓

Outstanding Service and Support

Naiad Dynamics stands behind every system sold with its superb limited Warranty. NAIAD® products are supported worldwide by our sales and service centers and mobile fleet, and by our comprehensive Authorized Dealer Network with locations in key regions for fastest response and guaranteed satisfaction. Spare parts are usually in-stock and ship within 24 hours, and our state-of-the-art in-house manufacturing facility ensures quick turnaround on parts throughout the life of the system.

NAIAD DYNAMICS US, INC.

Connecticut, USA
+1 203 929 6355

Maryland, USA
+1 301 690 2010

Florida, USA
+1 954 797 7566

NAIAD DYNAMICS UK LIMITED

Southampton, England
+44 (0) 2392 53 9750

NAIAD DYNAMICS HOLLAND, BV

Maastricht, Netherlands
+31 (0) 43 604 9200

ND ASIA PACIFIC PTY. LIMITED

Perth, Australia
+61 (0) 451 699 676



www.naiad.com
sales@naiad.com

NAIAD DYNAMICS: The Science of Ship Motion Control®